

Triplexer

1 + 1 Port Dual Pass Band

762-776 / 851-869, 792-824MHz

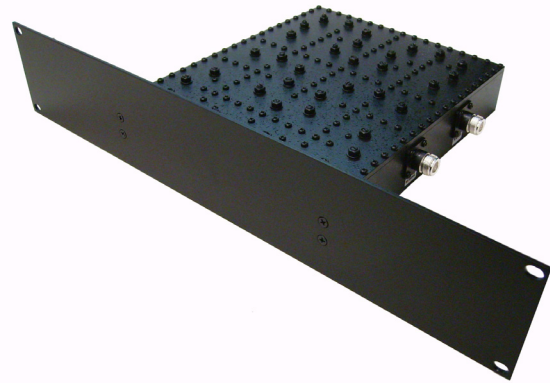
DP767985-0801-32



RFI's range of compact multi-resonator aluminium triplexers are ideal for use where space is restricted or at a premium. The pass bands are designed for specific applications or markets where low insertion loss and ripple with excellent port to port isolation characteristics provide ideal solutions for multi-band systems. The power rating and multi-carrier capability make these Triplexers ideal for either single carrier or combined multi-carrier systems. The temperature stable resonators provide a wide operational temperature range.

Features:

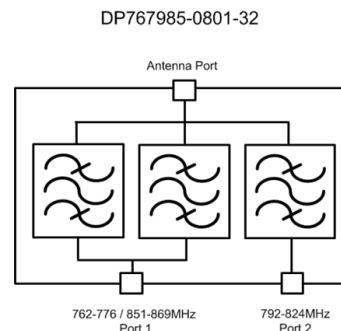
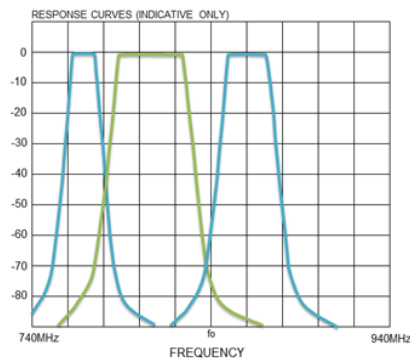
- 2 Port Triplexer - 3 Pass Bands
- 1.5dB Insertion Loss (typical, all pass bands)
- Low pass band insertion loss ripple
- >70dB Port 1 to Port 2 Isolation
- 100W (CW) per port power rating
- Compact temperature stable design
- 2RU 19" Rack mount front panel



Specifications

Model Number	DP767985-0801-32
Type	Triplexer
Port 1 Pass Bands	762-776MHz / 851-869MHz
Port 2 Pass Band	792-824MHz
Port 1 Insertion Loss - typical	≤ 1.5dB
Port 2 Insertion Loss - typical	≤ 1.5dB
Port 1 & Port 2 Pass band ripple - typical	≤ 0.5dB
Port 1 to Port 2 Isolation - typical	≥ 70dB
Input Power (single carrier CW) - max per port	100W*
Impedance	50Ω
Return Loss / VSWR - all ports	≥ 19 dB / ≤ 1.25:1
Termination Connectors	N (F)
Mounting	2RU 19" Rack Mount Front Panel
Finish	Painted Black
Triplexer only dimensions (mm/inches excl connectors)	H 65 (2.5") x W 207 (8.15") x D 260 (10.23")
Triplexer with 2RU panel dimensions (mm/inches excl connectors)	H 89 (3.5") x W 483 (19") x D 263 (10.35")
Weight - approx	3.6kg / 7.92lbs
Temperature Range	-30° to +60° C / -22° to +140° F

* Please refer to RFI for multi-carrier power ratings



Ordering Information	Description
DP767985-0801-32	Triplexer 762-776/851-869MHz, 792-824MHz PB, 100W, N (F) 2RU