

Filter
Band Pass
792-824MHz
PF7982-10xx-31 Series



RFI's range of compact multi-resonator milled aluminium band pass filters are ideal for use where space is restricted or at a premium and where a 19" rack mounting facility is available. The symmetrically sharp skirt response and low pass band insertion loss make these filters ideal for use as pre-selectors in receiver systems or as post filters cleaning up low power transmitter carriers or Tx sub-bands. DC grounding in the input/output ports provide natural voltage surge protection. The temperature stable resonators provide a wide operational temperature range ensuring important electrical specifications are maintained across the full operational temperature range.

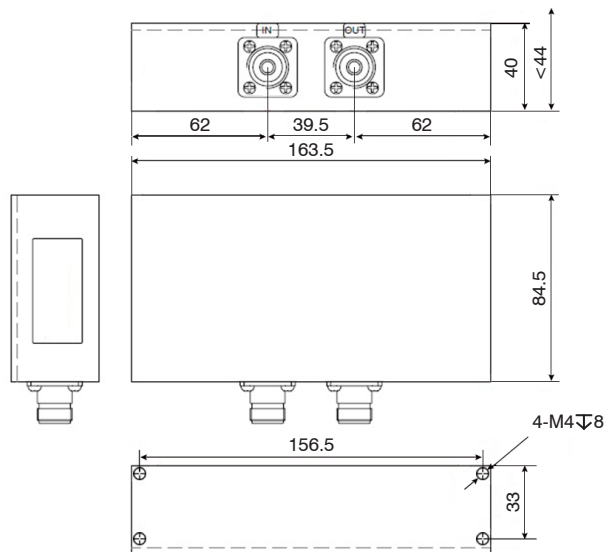
Features:

- Pass Bandwidth options 3, 6, 10, 15 and 18MHz
- Low in-band insertion loss and ripple
- Sharp symmetrical skirt selectivity response
- 20W Power rating
- 1RU 19" Rack mount front panel (detachable)
- Wide operational temperature range



Specifications

Model Number (PF7982-10xx31)	03	06	10	15	18
Filter Type	Band Pass				
Tuneable Frequency Range	792-824MHz				
Pass Bandwidth- MHz	3	6	10	15	18
Type	Band Pass				
Insertion Loss - Typical	≤1.5dB				
In-Band Ripple	≤1dB				
Attenuation	Refer to Plots				
Input Power (CW) - max	20W				
Impedance	50Ω				
Return Loss / VSWR	≥18dB / ≤1.29:1				
Termination Connectors	N (F)				
Mounting Option	1RU 19" Rack mount front panel				
Finish	Painted Black				
Dimensions - Filter only (mm/in excl conn)	H 44 (1.7") x W 163.5 (6.4") x D 84.5 (3.3")				
Dimensions - Filter + panel (mm/in excl conn)	H 44 (1.7") x W 483 (19") x D 87.5 (3.4")				
Weight - approx	0.91kg / 1.98lbs				
Temperature Range	-30° to +60° C / -22° to +140° F				

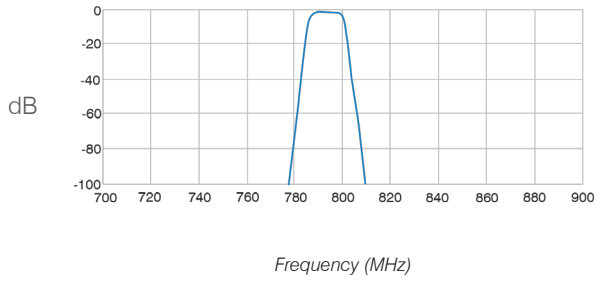


FILTER ONLY DIMENSIONS (mm)

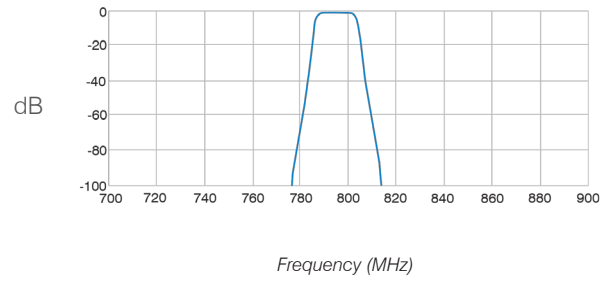
Filter
Band Pass
792-824MHz
PF7982-10xx-31 Series



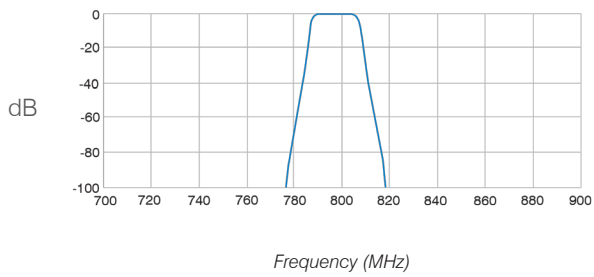
3MHz PASS BAND



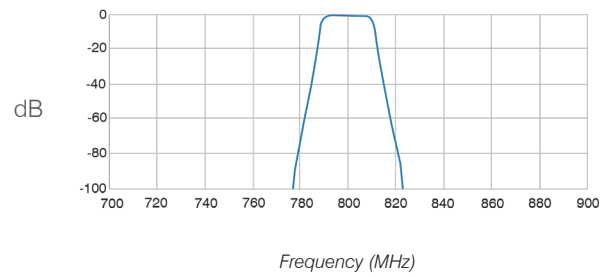
6MHz PASS BAND



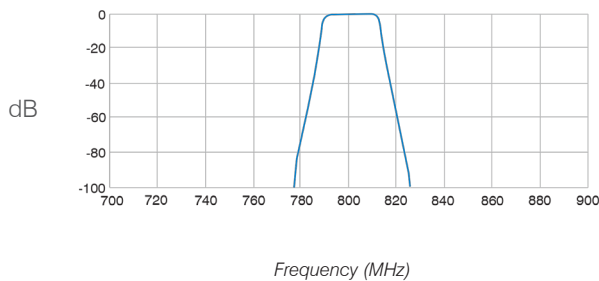
10MHz PASS BAND



15MHz PASS BAND



18MHz PASS BAND



Ordering Information	Description
PF7982-1003-31N	Filter, Band Pass 792-824MHz, 3MHz PB, 20W, N(F), 1RU
PF7982-1006-31N	Filter, Band Pass 792-824MHz, 6MHz PB, 20W, N(F), 1RU
PF7982-1010-31N	Filter, Band Pass 792-824MHz, 10MHz PB, 20W, N(F), 1RU
PF7982-1015-31N	Filter, Band Pass 792-824MHz, 15MHz PB, 20W, N(F), 1RU
PF7982-1018-31N	Filter, Band Pass 792-824MHz, 18MHz PB, 20W, N(F), 1RU