

Cross-Band Coupler

Tri-band / Triplexer

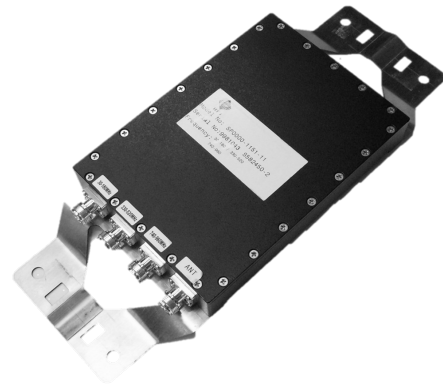
30-180MHz / 330-520MHz / 740-960MHz
SP0000-1151-11



The three banded compact cross-band coupler provides low insertion loss and high port-to-port isolation for the desired VHF, UHF and 7/8/900MHz frequency bands. Designed for indoor and outdoor use, the cross-band coupler is provided with stainless steel mounting brackets suitable for either flat surface or pole mounting requirements. Suited for use where a single feeder cable is required to connect to banded antennas or coupling onto a single coaxial feeder in multi-banded systems.

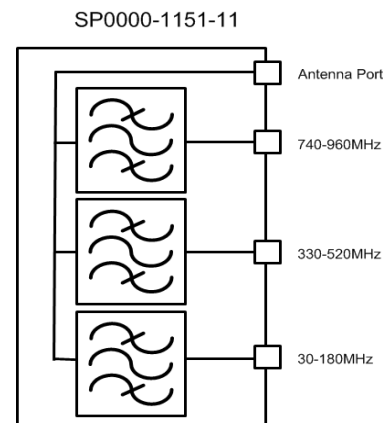
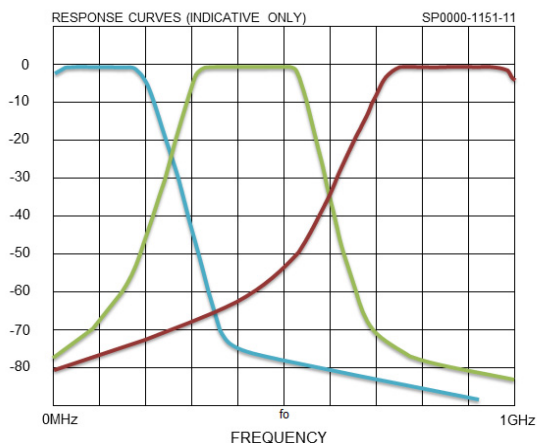
Features:

- Covers full VHF, UHF and 7/8/900MHz commercial bands
- Provided with wall or pole mount stainless steel mounting bracket
- 30W (CW) power rating per frequency banded port
- Low insertion loss across respective pass bands
- > 45dB isolation across ports
- Suitable for both indoor and outdoor environments - IP66



Specifications

Model Number	SP0000-1151-11			
Type	Cross-Band Coupler / Triplexer			
Ports	ANT	1	2	3
Frequency Range	30-960MHz	30-180MHz	330-520MHz	740-960MHz
Pass Bandwidth	930MHz	150MHz	190MHz	220MHz
Insertion Loss	≤1.2dB	≤1.2dB	≤1.2dB	≤1.2dB
Pass Band Ripple	≤0.8dB	≤0.8dB	≤0.8dB	≤0.8dB
Stop Band attenuation	N/A	≥45dB@ 330-960MHz	≥45dB@30-180MHz ≥45dB@740-960MHz	≥45dB@30-520MHz
Power rating (CW)	18dB / 1.29:1	30W	30W	30W
Return Loss	≥18dB			
Impedance	50Ω			
Environmental protection	IP66			
Termination Connectors	N (F)			
Mounting	Pole or Wall (flat surface)			
Finish	Painted Black with S/S Mounting Bracket			
Cross-band coupler dimensions (excl connectors and brkt)	H 182mm (7.2") x W 127mm (5") x D 20mm (1.2")			
Weight - approx (including mounting brackets)	1.3kg / 2.9lbs			
Temperature Range	-30 to + 60deg C / -22 to + 140deg F			

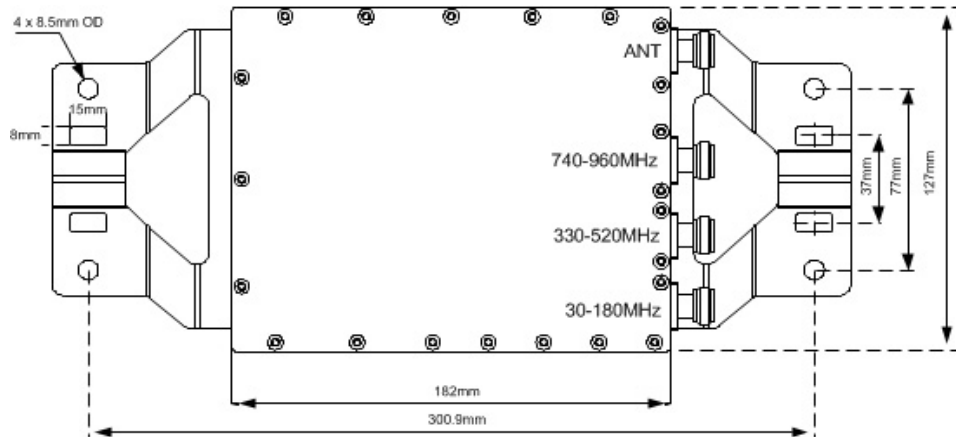


Cross-Band Coupler

Tri-band / Triplexer

30-180MHz / 330-520MHz / 740-960MHz

SP0000-1151-11



Mechanical mounting dimensions

Ordering Information	Description
SP0000-1151-11	Cross-Band Coupler, Tri-band 30-180MHz/330-520MHz/740-960MHz, 30W N(F)