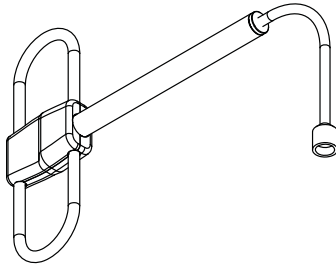


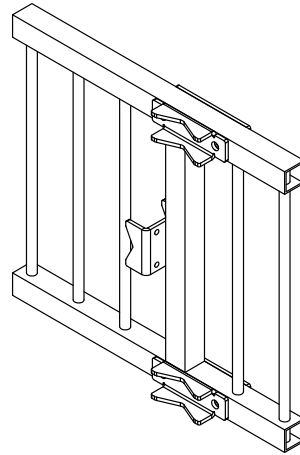
FSA10-67-DIN

ASSEMBLY INSTRUCTIONS

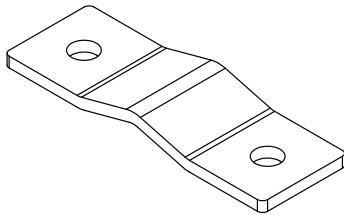
Before assembling your antenna please ensure that all the components below are included in the kit.



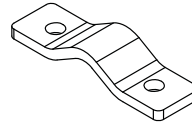
**SMD40-67-DIN
DIPOLE ASSEMBLY
QTY: 1**



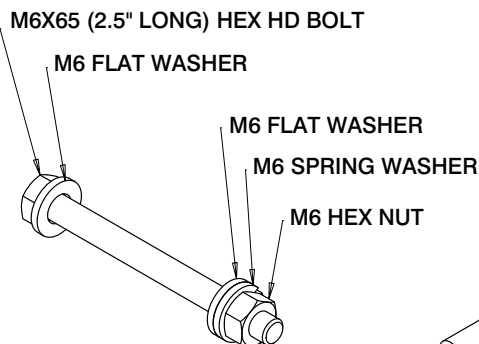
**M-8570
FLAT SCREEN ASSEMBLY
QTY: 1**



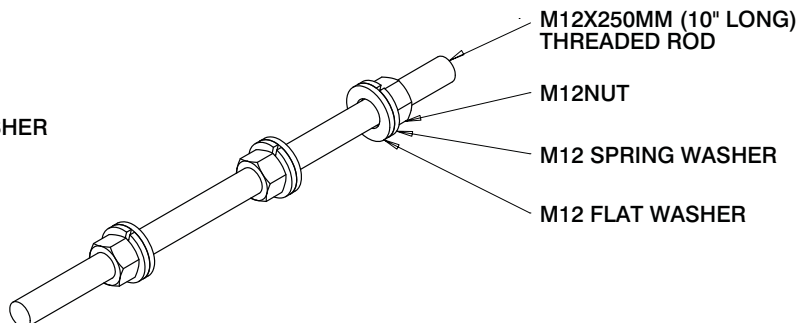
**LARGE CLAMP PLATE
QTY: 2**



**SMALL CLAMP PLATE
QTY: 1**



**M6 BOLT ASSEMBLY
QTY: 2**



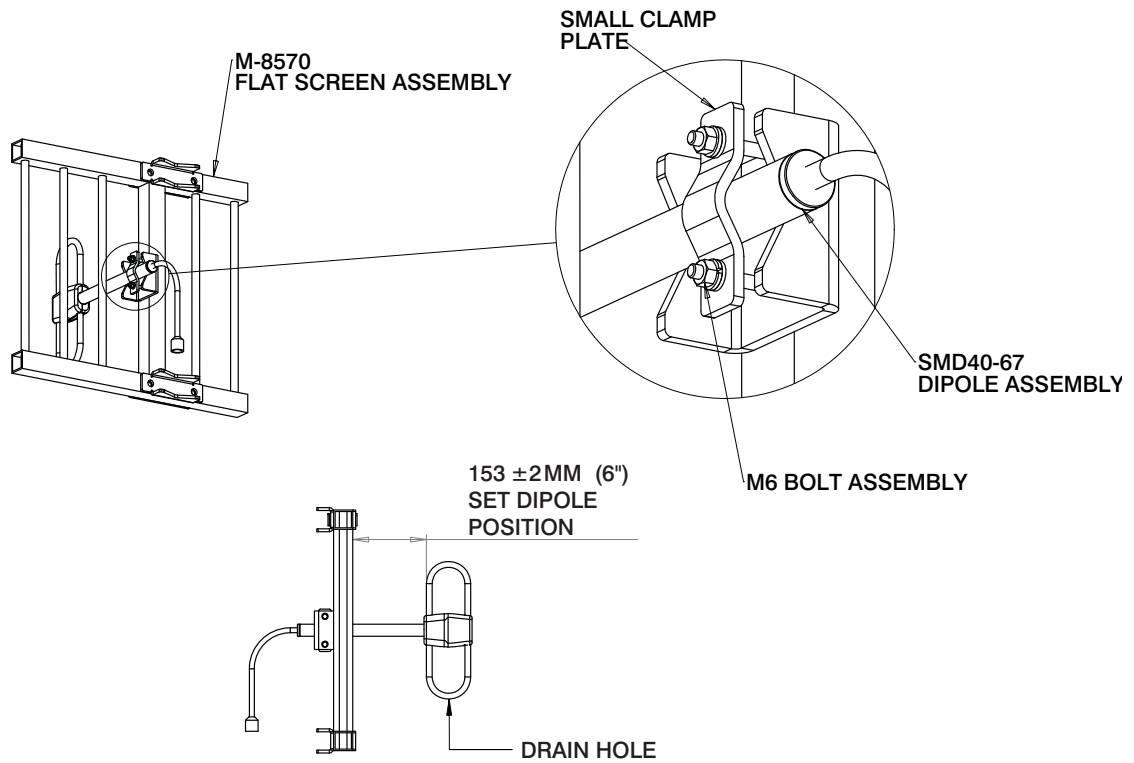
**M12 STUD ASSEMBLY
QTY: 4**

FSA10-67-DIN

ANTENNA ASSEMBLY

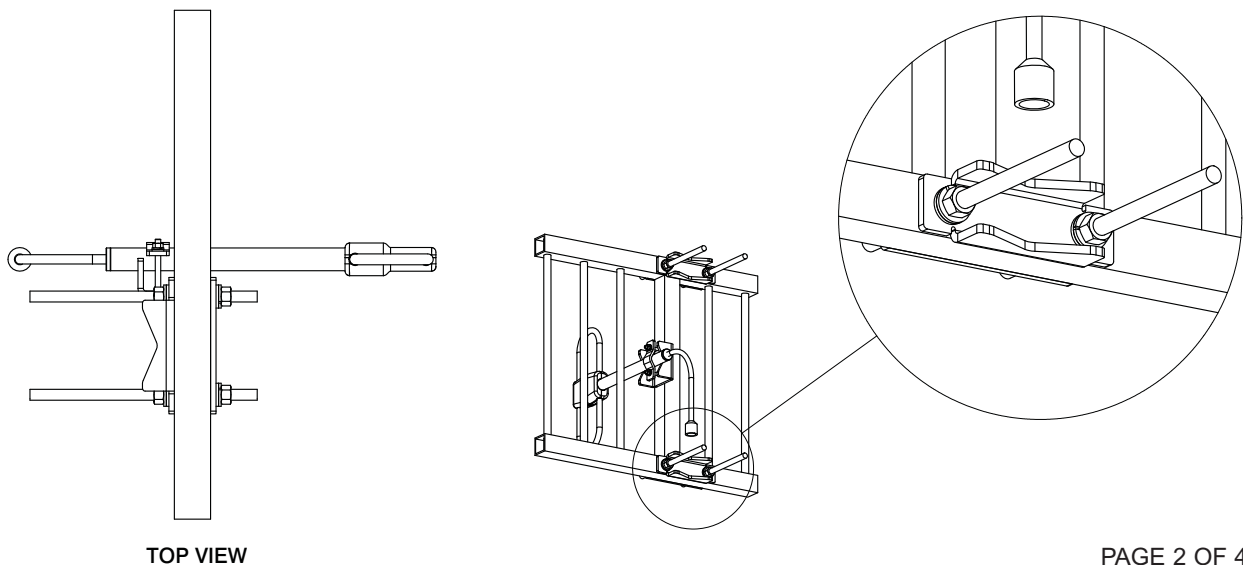
STEP 1:

ASSEMBLE DIPOLE TO FLAT SCREEN AS PICTURED BELOW ENSURING THE DIPOLE TO SCREEN SPACING IS SET CORRECTLY AND THE DIPOLE DRAINHOLE IS FACING DOWNWARDS. USING THE M6 BOLT ASSEMBLY AND SMALL CLAMP PLATE INCLUDED IN THE KIT. TIGHTEN M6 BOLTS TO 10NM (7 lbf.ft)



STEP 2:

FIT THE M12 STUDS TO THE ANTENNA ASSEMBLY AS PICTURED, TORQUE TO 55NM (40 lbf.ft)

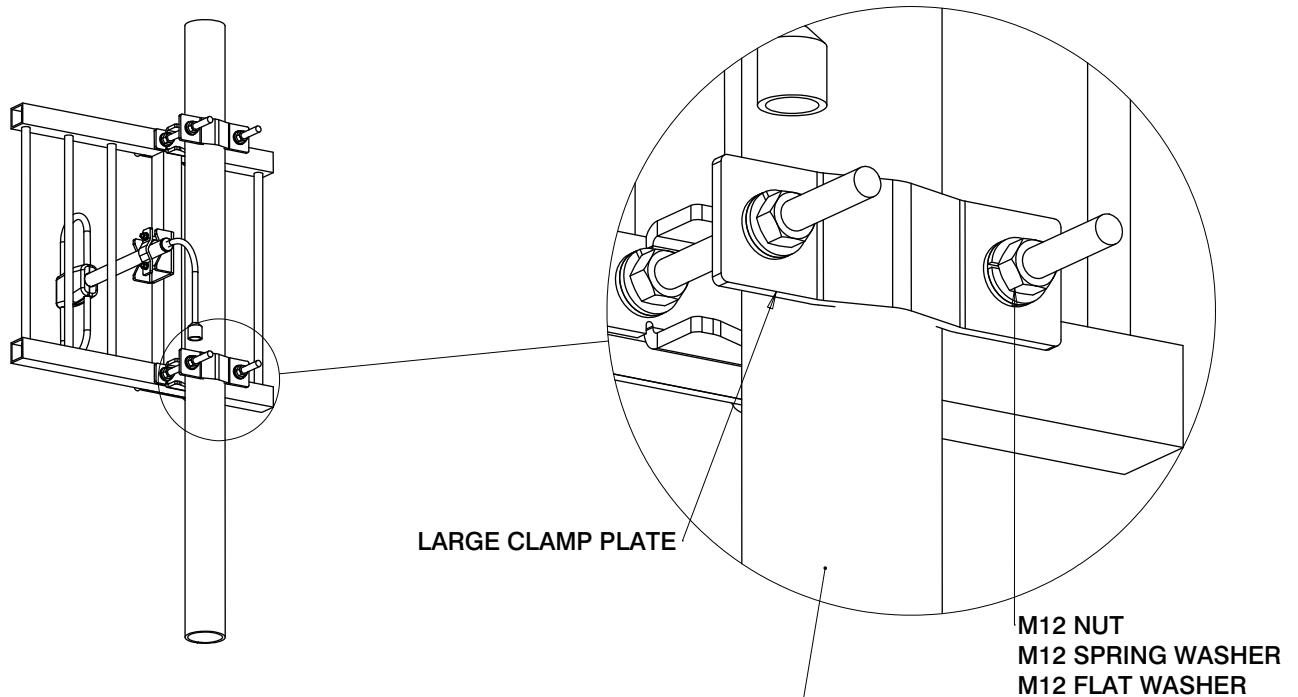


FSA10-67-DIN

ASSEMBLY INSTRUCTIONS *continued*

STEP 3:

FIT THE CLAMP PLATES IN PLACE, TO ALLOW ATTACHMENT TO MOUNTING TUBE.



ANTENNA MOUNTING HARDWARE HAS BEEN DESIGNED TO ACCEPT MOUNTING TUBE DIAMETERS IN THE RANGE OF 50-75MM (2"-3").

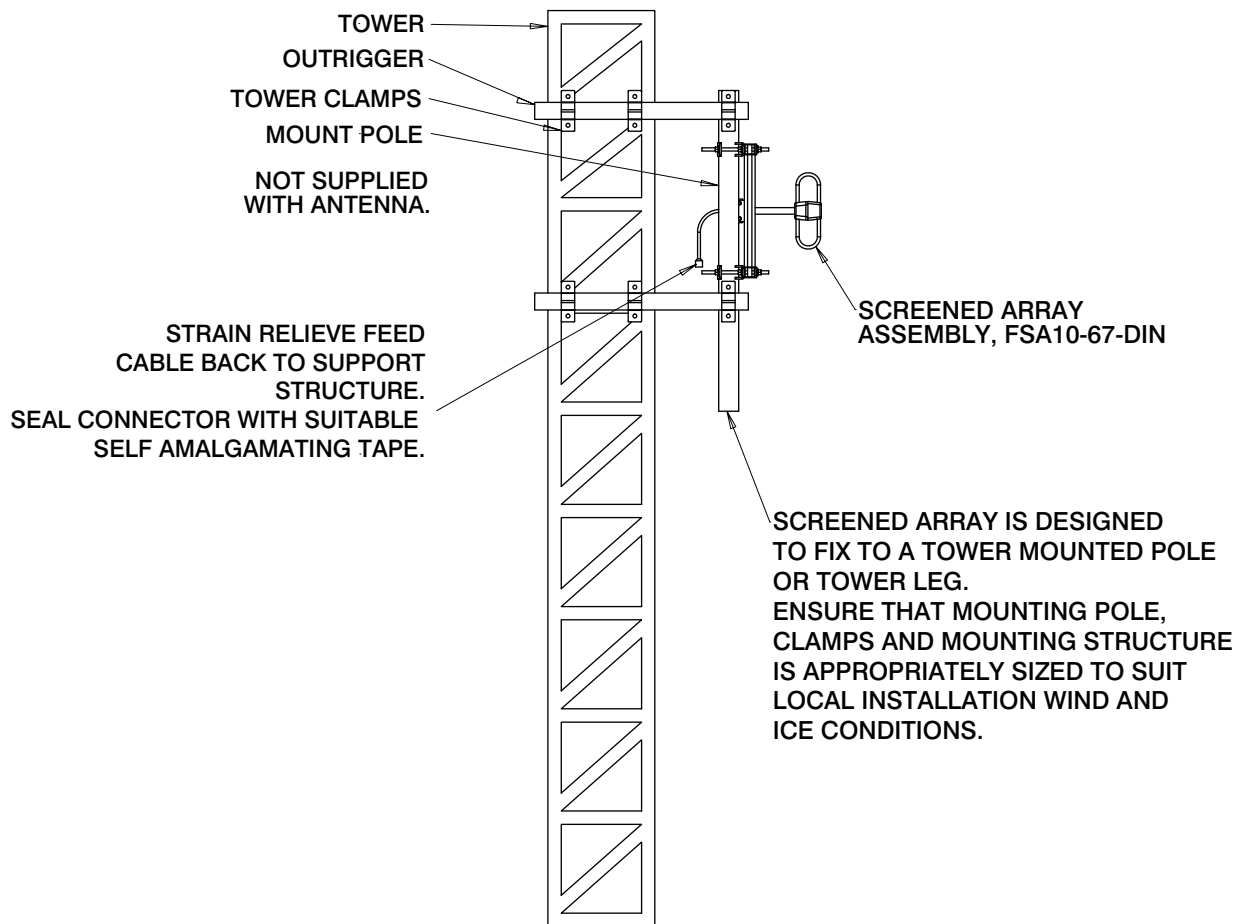
MOUNTING TUBE LENGTH TO BE SIZED BY INSTALLER TO SUIT INSTALLATION METHOD.

PLEASE NOTE: MOUNTING POLE NOT SUPPLIED

FSA10-67-DIN

ASSEMBLY INSTRUCTIONS *continued*

TYPICAL INSTALLATION



**INSTALLATION
SIDE VIEW**