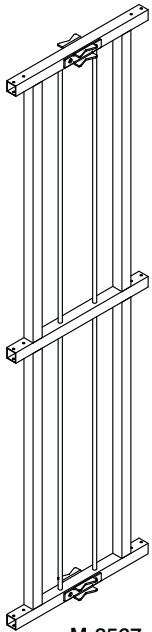


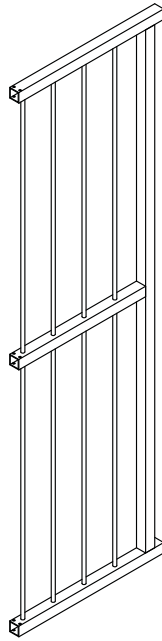
## CSA20-41-DIN

### COMPONENTS

BEFORE ASSEMBLING YOUR ANTENNA PLEASE ENSURE THAT ALL THE COMPONENTS BELOW ARE INCLUDED IN THE KIT.



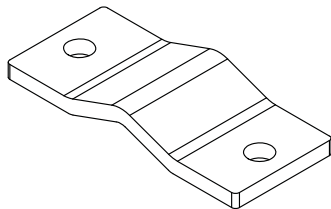
**M-8567  
SCREEN CENTRE  
QTY: 1**



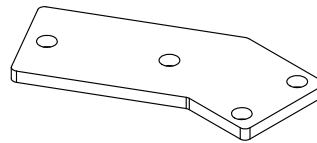
**M-8567  
SCREEN SIDES  
QTY: 2**



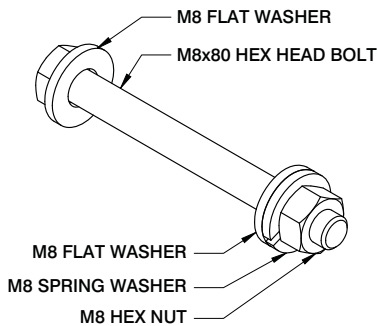
**0A-20-41-DIN  
DIPOLE ASSEMBLY  
QTY: 1**



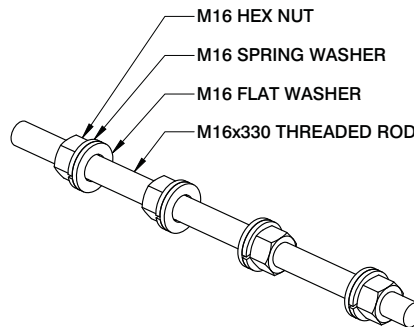
**LARGE CLAMP PLATE  
QTY: 4**



**CORNER BRACKET  
QTY: 12**



**M8x80 BOLT ASSEMBLY  
QTY: 24**



**M16 STUD ASSEMBLY  
QTY: 4**

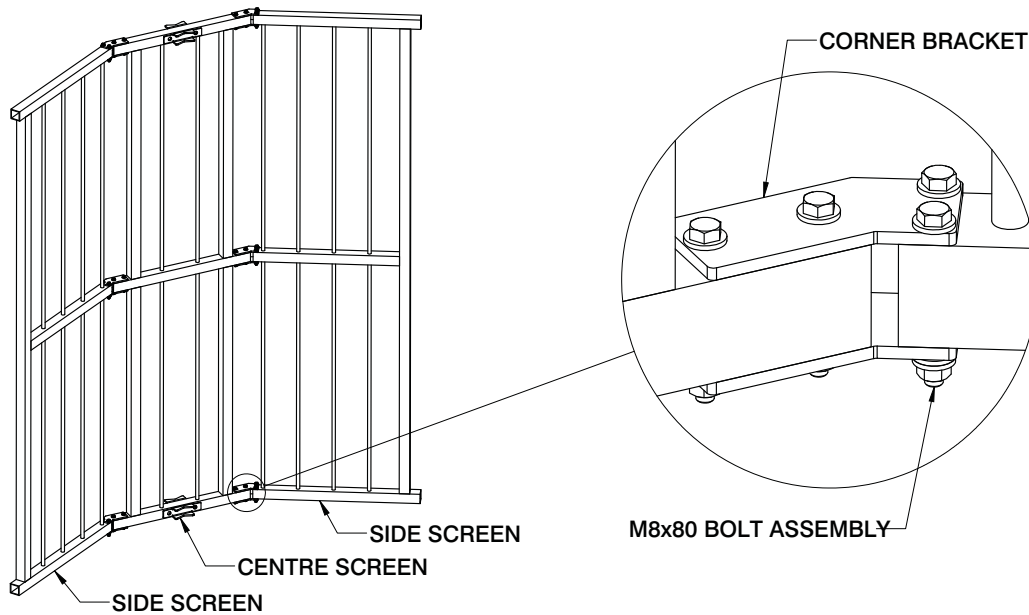
## CSA20-41-DIN

### ANTENNA ASSEMBLY

#### STEP 1:

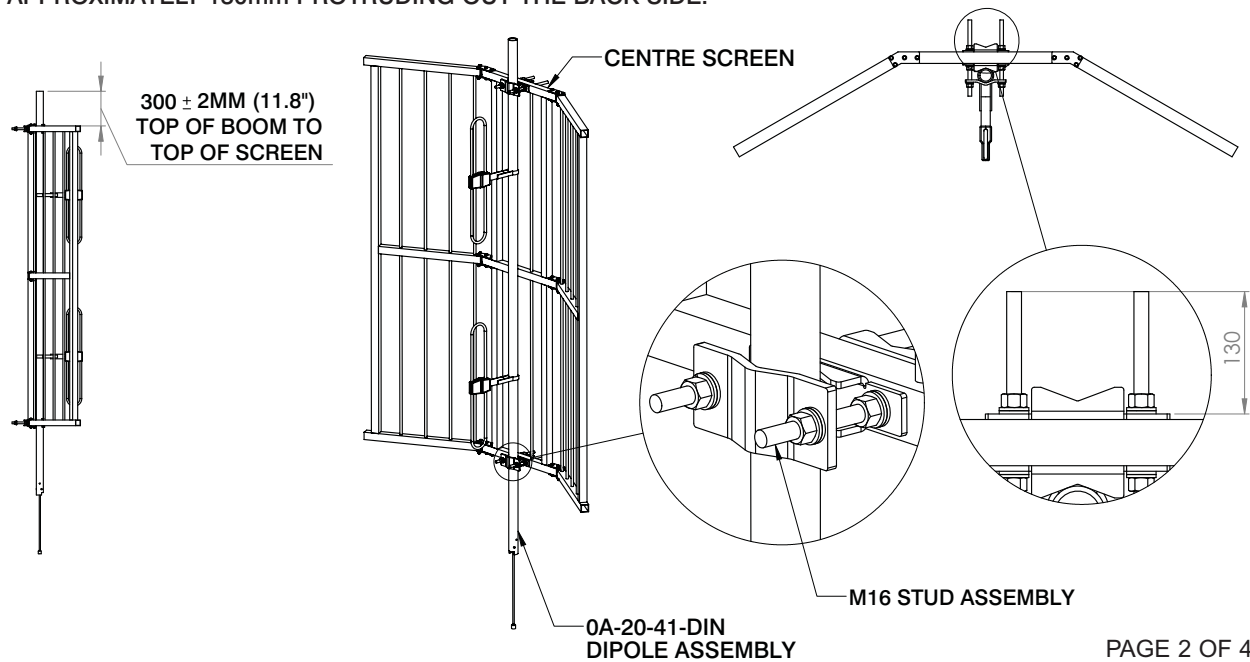
ASSEMBLE THE 2 SIDE SCREENS TO THE CENTRE SCREEN AS DEPICTED BELOW USING THE 8 CORNER BRACKETS AND THE 16 M8x80 BOLT ASSEMBLIES INCLUDED IN THE KIT.

TIGHTEN THE M8 BOLTS TO 25Nm (19 lbf.ft)



#### STEP 2:

ASSEMBLE THE DIPOLE TO THE CENTRE SCREEN AS DEPICTED BELOW USING THE 2 LARGE CLAMP PLATES AND THE 4 M16 STUD ASSEMBLIES INCLUDED IN THE KIT. TIGHTEN THE M16 NUTS TO 70Nm (50 lbf.ft). LEAVE APPROXIMATELY 130mm PROTRUDING OUT THE BACK SIDE.

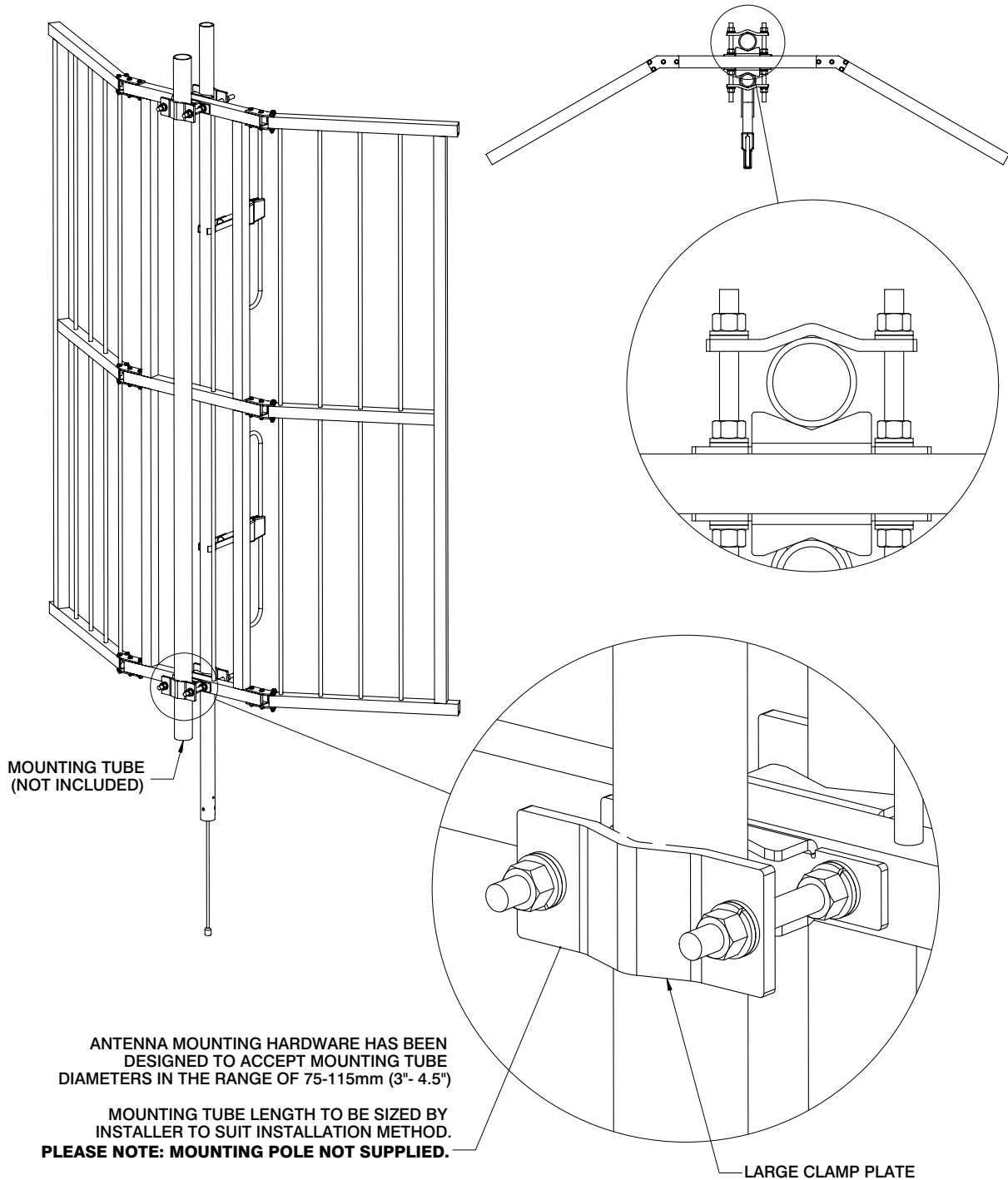


## CSA20-41-DIN

### ASSEMBLY INSTRUCTIONS *continued*

#### STEP 3:

WITH THE ANTENNA ASSEMBLY LOCATED ON THE MOUNTING TUBE ATTACH THE REMAINING 2 LARGE CLAMP PLATES AND TIGHTEN THE M16 NUTS CLAMPING THE ANTENNA ASSEMBLY TO THE MOUNTING TUBE. TIGHTEN TO 70Nm (50 lbf.ft)



## CSA20-41-DIN

### ASSEMBLY INSTRUCTIONS *continued*

#### TYPICAL INSTALLATION

