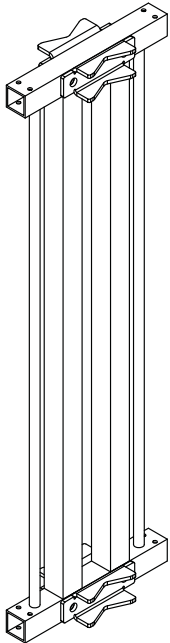


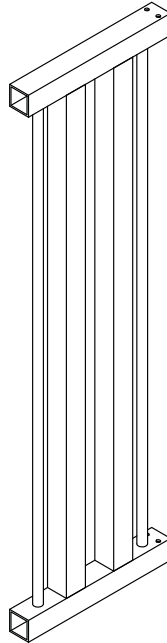
CSA20-67-DIN

COMPONENTS

BEFORE ASSEMBLING YOUR ANTENNA PLEASE ENSURE THAT ALL THE COMPONENTS BELOW ARE INCLUDED IN THE KIT.



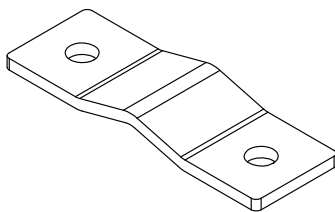
**M-8564
SCREEN CENTRE**
QTY: 1



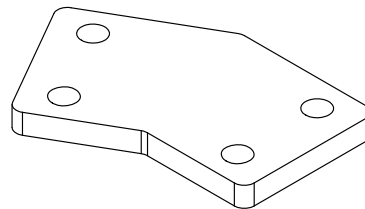
**M-8564
SCREEN SIDES**
QTY: 2



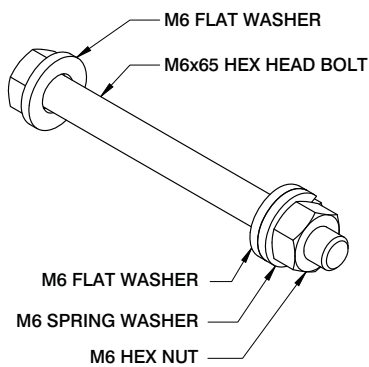
**0A-20-67-DIN
DIPOLE ASSEMBLY**
QTY: 1



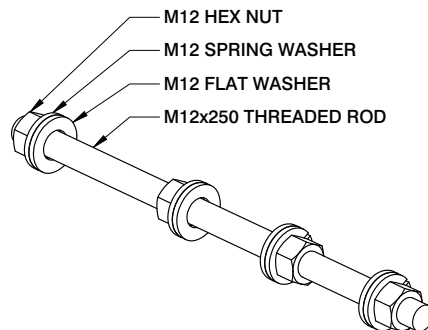
LARGE CLAMP PLATE
QTY: 4



CORNER BRACKET
QTY: 8



M6x65 BOLT ASSEMBLY
QTY: 24



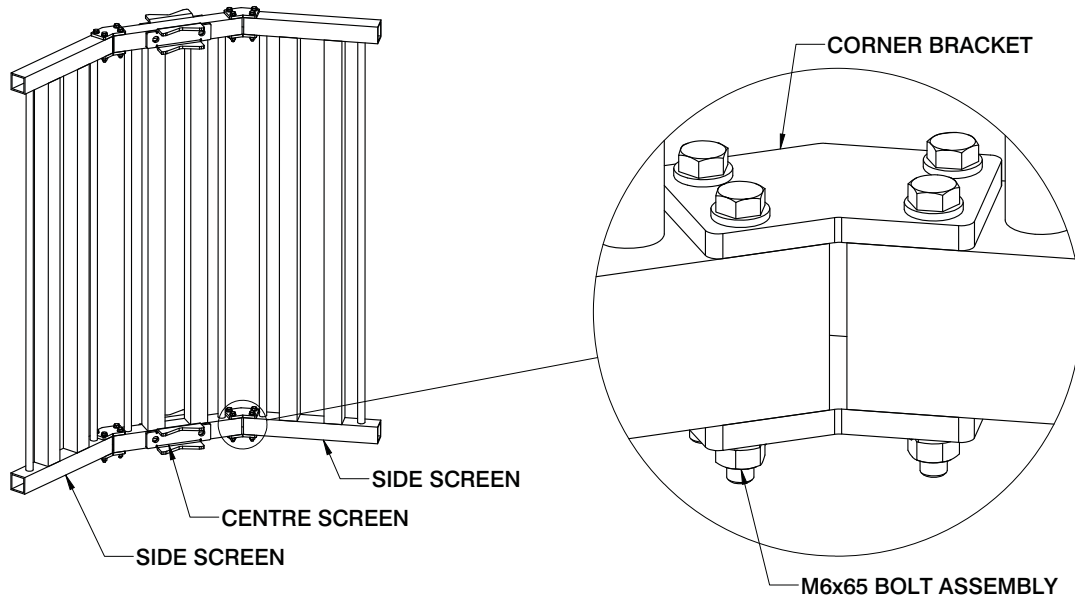
M12 STUD ASSEMBLY
QTY: 4

CSA20-67-DIN

ANTENNA ASSEMBLY

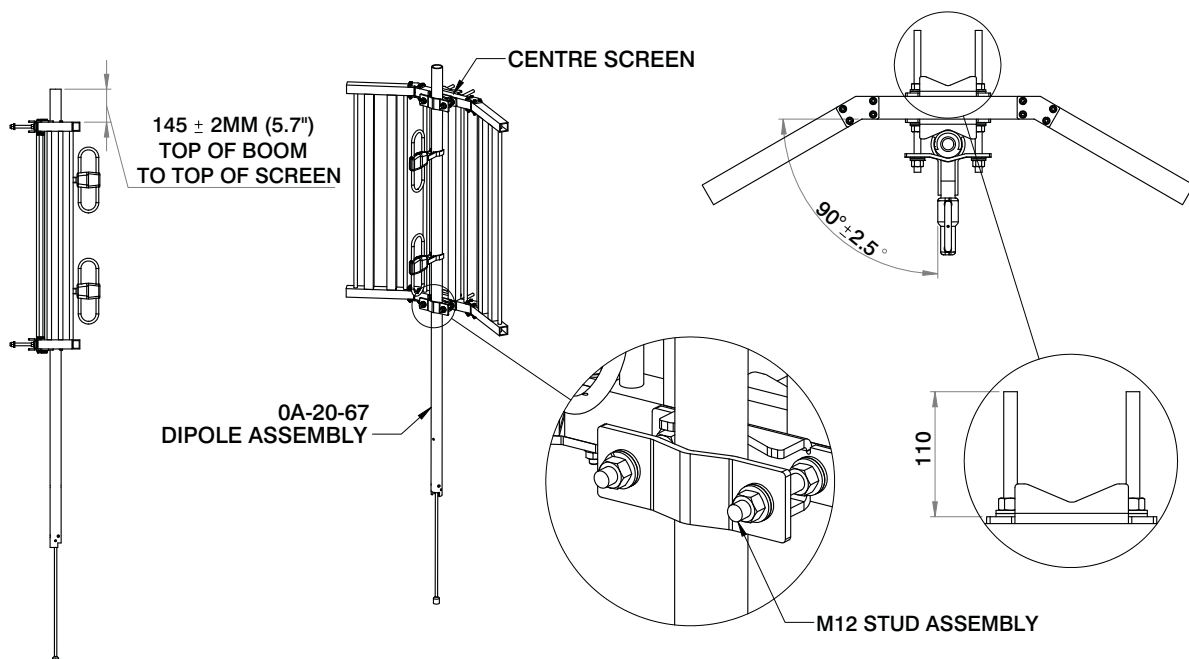
STEP 1:

ASSEMBLE THE 2 SIDE SCREENS TO THE CENTRE SCREEN AS DEPICTED BELOW USING THE 8 CORNER BRACKETS AND THE 16 M6x65 BOLT ASSEMBLIES INCLUDED IN THE KIT. TIGHTEN THE M6 BOLTS TO 15Nm (11 lbf.ft)



STEP 2:

ASSEMBLE THE DIPOLE TO THE CENTRE SCREEN AS DEPICTED BELOW USING THE 2 LARGE CLAMP PLATES AND THE 4 M12 STUD ASSEMBLIES INCLUDED IN THE KIT. TIGHTEN THE M12 NUTS TO 55Nm (40 lbf.ft). LEAVE APPROXIMATELY 110mm PROTRUDING OUT THE BACK SIDE.

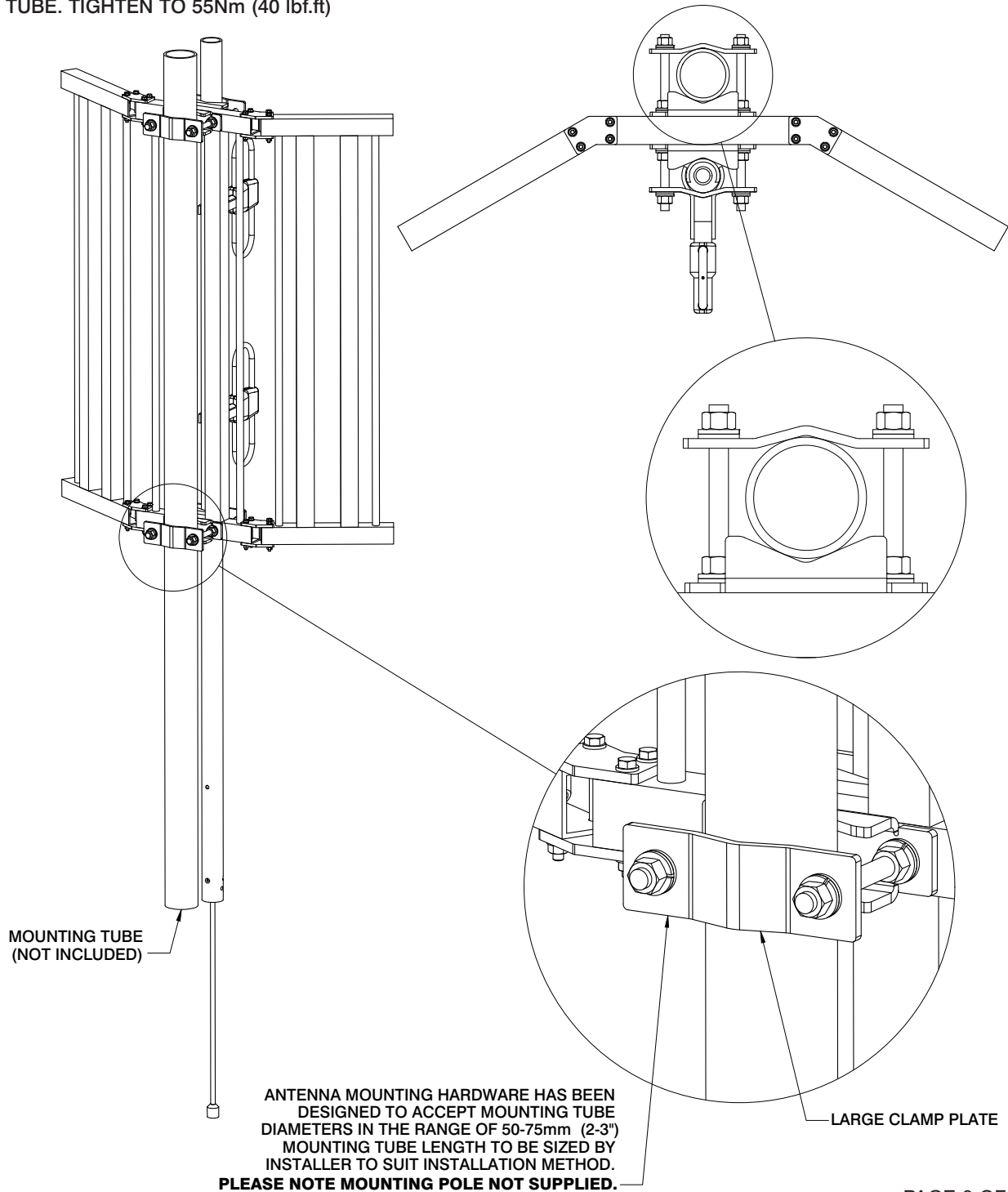


CSA20-67-DIN

ASSEMBLY INSTRUCTIONS *continued*

STEP 3:

WITH THE ANTENNA ASSEMBLY LOCATED ON THE MOUNTING TUBE ATTACH THE REMAINING 2 LARGE CLAMP PLATES AND TIGHTEN THE M12 NUTS CLAMPING THE ANTENNA ASSEMBLY TO THE MOUNTING TUBE. TIGHTEN TO 55Nm (40 lbf.ft)



CSA20-67-DIN

ASSEMBLY INSTRUCTIONS *continued*

TYPICAL INSTALLATION

